

THE VITS SCHOOL

GRADE	I	SUBJECT	HINDI	PRACTICE SHEET NO.	7
DATE OF ISSUE	28/06/2023		DATE OF SUBMISSION	01/07/2023	
NAME:					

प्रश्न 1. चित्र देख कर खाली स्थान भरो एवं कहानी का नाम लिखिए।

(10)

एक  ..... था। घर की   
..... पर  ..... के पेड़ की छाया  
थी। राम छाया में बैठकर  .....  
पढ़ता था। एक बार एक  .....  
राम के ऊपर गिरा। राम के  .....  
खराब हो गए। राम  ..... पर  
जाकर नहाया। फिर  .....  
छा गए। पानी बरसा। राम ने बारिश में  
एक  ..... रख दिया। टब  
भर गया।



**THE VITS SCHOOL**

<b>GRADE</b>	<b>I</b>	<b>SUBJECT</b>	<b>MATHS</b>	<b>PRACTICE SHEET NO.</b>	<b>7</b>
<b>DATE OF ISSUE</b>	<b>28/06/2023</b>		<b>DATE OF SUBMISSION</b>	<b>01/07/2023</b>	
<b>NAME:</b>					

**Q.1- Fill in the missing letters for each number.**

**(5)**

**11- E \_ \_ \_ \_ N**

**12- TW \_ \_ \_ \_**

**13- T \_ \_ \_ TEEN**

**14- FOUR \_ \_ \_ \_**

**15- FIF \_ \_ \_ \_**

**16- SIX \_ \_ \_ \_**

**17- SE \_ \_ \_ \_ EN**

**18- \_ \_ \_ \_ EEN**

**19- \_ \_ \_ \_ TEEN**

**20- TW \_ \_ \_ \_**

**Q.2- Write before numbers.**

**(5)**

a. \_\_\_\_\_7

f \_\_\_\_\_59

b. \_\_\_\_\_12

g. \_\_\_\_\_62

c. \_\_\_\_\_15

h \_\_\_\_\_73

d. \_\_\_\_\_30

i. \_\_\_\_\_80

e. \_\_\_\_\_41

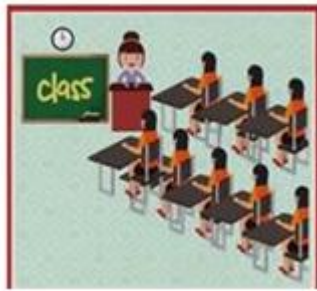
j. \_\_\_\_\_96

# THE VITS SCHOOL

<b>GRADE</b>	<b>I</b>	<b>SUBJECT</b>	<b>EVS</b>	<b>PRACTICE SHEET NO.</b>	<b>7</b>
<b>DATE OF ISSUE</b>	<b>28/06/2023</b>		<b>DATE OF SUBMISSION</b>	<b>01/07/2023</b>	
<b>NAME:</b>					

**Q.1- Identify the following and write their names in given boxes:**

**(6)**



**Q.2- Draw and write the name of sense organs that help you in-**

**(4)**

1) Listening to the music.

2) Seeing the world around you.





## THE VITS SCHOOL

<b>GRADE</b>	<b>I</b>	<b>SUBJECT</b>	<b>ENGLISH</b>	<b>PRACTICE SHEET NO.</b>	<b>7</b>
<b>DATE OF ISSUE</b>	<b>28/06/2023</b>		<b>DATE OF SUBMISSION</b>	<b>01/07/2023</b>	
<b>NAME:</b>					

### Q1. Yes or No

Look at the picture. Read the question and colour the circle for the correct answer:

(2)

	<p>Is this a boy?</p>	<input type="radio"/>	<p>Yes, this is a boy.</p>
		<input type="radio"/>	<p>No, this is not a boy.</p>
	<p>Is this a bat?</p>	<input type="radio"/>	<p>Yes, this is a bat.</p>
		<input type="radio"/>	<p>No, this is not a bat.</p>
	<p>Is this a cat?</p>	<input type="radio"/>	<p>Yes, this is a cat.</p>
		<input type="radio"/>	<p>No this not a cat.</p>
	<p>Is this a flower?</p>	<input type="radio"/>	<p>Yes, this is a flower.</p>
		<input type="radio"/>	<p>No, this is not a flower</p>

Q2- Make your word chain:

(4)

Bat → \_\_\_\_\_ → \_\_\_\_\_ → \_\_\_\_\_ ↓



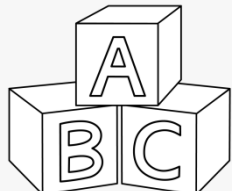

\_\_\_\_\_ ← \_\_\_\_\_ ← \_\_\_\_\_ ← \_\_\_\_\_ ↓

↓ \_\_\_\_\_ → \_\_\_\_\_ → \_\_\_\_\_ → \_\_\_\_\_ ↓

\_\_\_\_\_ ← \_\_\_\_\_ ← \_\_\_\_\_ ← \_\_\_\_\_ ↓

Q.3- See the picture and write the correct word:

(4)

 <p>_____</p>	 <p>_____</p>
 <p>_____</p>	 <p>_____</p>